

| | | | |
|-------------|-----|------|---------|
| Version | 2.0 | Date | 8/14/18 |
| Prepared By | JC | | |

PRODUCT SPECIFICATION

| | |
|----------------------|----------------------|
| Category | Flush Mount - Modern |
| Item Number | 7430 |
| Stock Code | LED12FMM-138L830-NI |
| Mounting | 12" Surface |
| Housing Color | White + Nickel |



| ELECTRICAL CHARACTERISTICS | | | |
|----------------------------|------|-------------------------|-----|
| Rated Wattage (W) | 18 | Replacement Wattage (W) | 120 |
| Tested Wattage (W) | 18 | | |
| Input Voltage (V) | 120V | | |
| Voltage Frequency (Hz) | 60 | Surge Protect Level | - |
| Input Current (A) | 0.16 | Dimmable | Yes |
| Power Factor | >0.9 | AUX (12V) Line | - |
| THD | <20% | | |

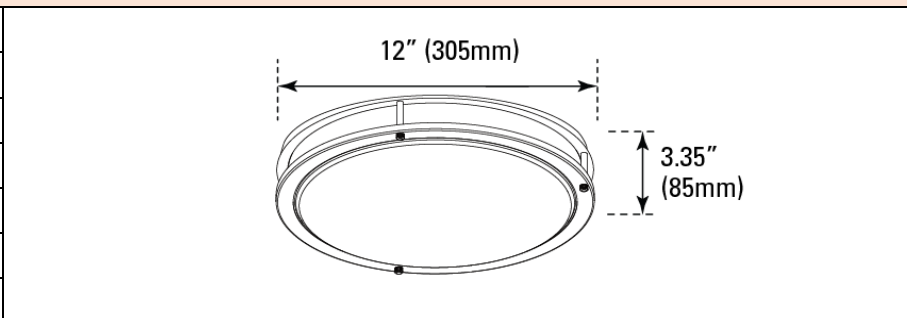
| PHOTOMETRIC CHARACTERISTICS | | | |
|-----------------------------|-------|----------------|-------|
| Lumen (lm) | 1,380 | CCT (K) | 3000K |
| Efficacy (lm/w) | - | Beam Angle (°) | Flood |
| CRI | >80 | | |

| GENERAL CHARACTERISTICS | |
|----------------------------|---------------|
| Operating Temperature (°F) | -4°F ~ 104° |
| Storage Temperature (°F) | -4°F ~ 140° |
| IP Rating | Damp Location |
| IK Rating | - |
| Rated Life (Hrs) | 50,000 |
| Warranty (Yrs) | 5 |

| ACCESSORIES | | |
|-------------|--------------------|--|
| Item # | Stock Code | Description |
| 7337 | BAEM25-170BC/347-C | 25W Micro Inverter 120-347V with 12" Conduit |
| | | |
| | | |
| | | |

PRODUCT DIMENSIONS

| | | |
|----------------------|--------|-----|
| Width- in / (mm) | 12.00" | 305 |
| Height- in / (mm) | 3.35" | 85 |
| Depth- in / (mm) | - | - |
| EPA (ft²) | - | |
| Weight (lbs) | 1.96 | |
| Mounting Height (ft) | 8~15 | |
| Cable Length (ft) | - | |



| CERTIFICATIONS | | | |
|--------------------|-----|------|---|
| UL/ETL | ETL | CEC | |
| NSF/ETL Sanitation | | JA8 | |
| Energy Star | ✓ | FCC | ✓ |
| DLC | | RoHs | ✓ |

| DOCUMENTS | | | |
|-----------|---|-------------|---|
| LM79 | ✓ | IES File | ✓ |
| LM80 | ✓ | Dimmer List | |
| | | | |

COMMENTS

| |
|--|
| |
|--|